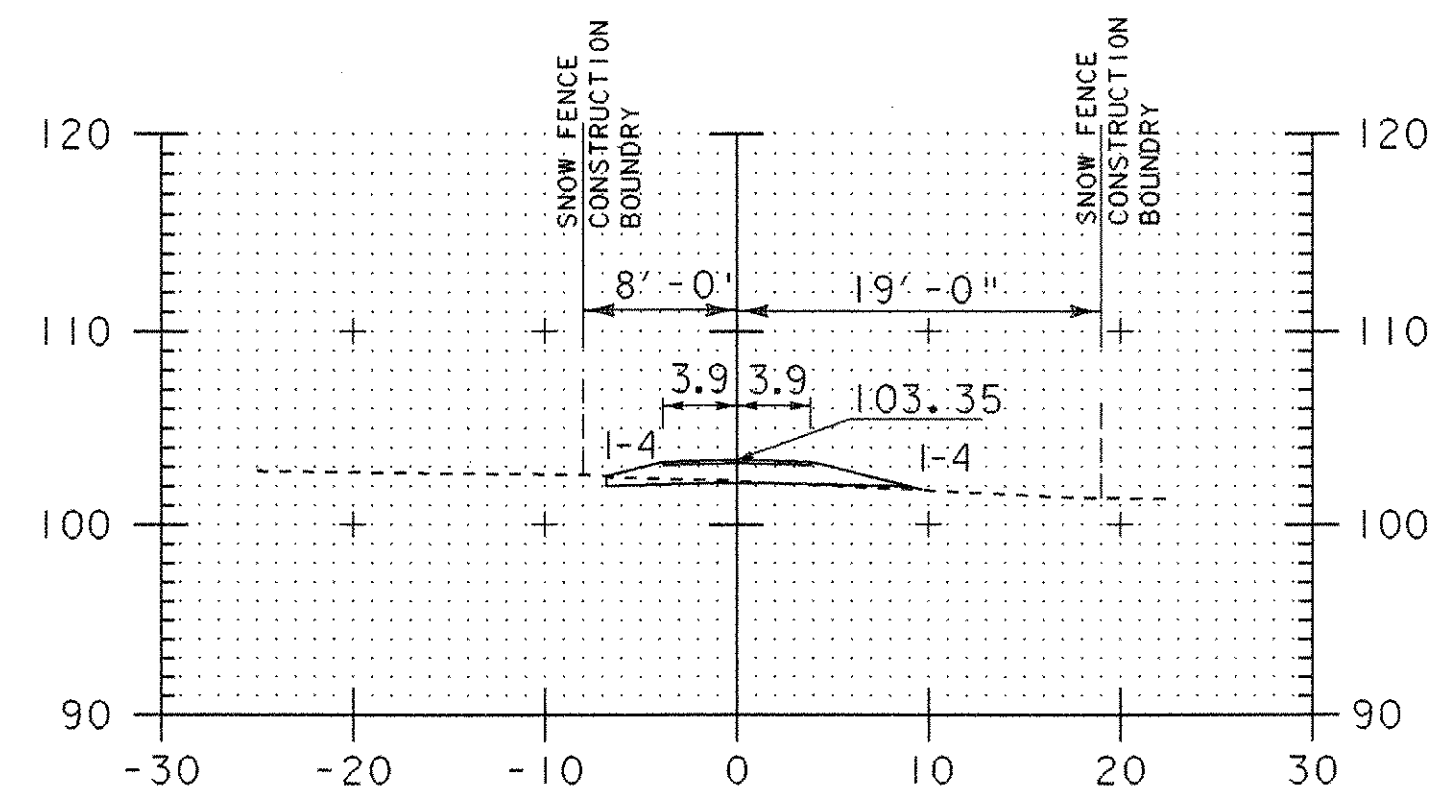
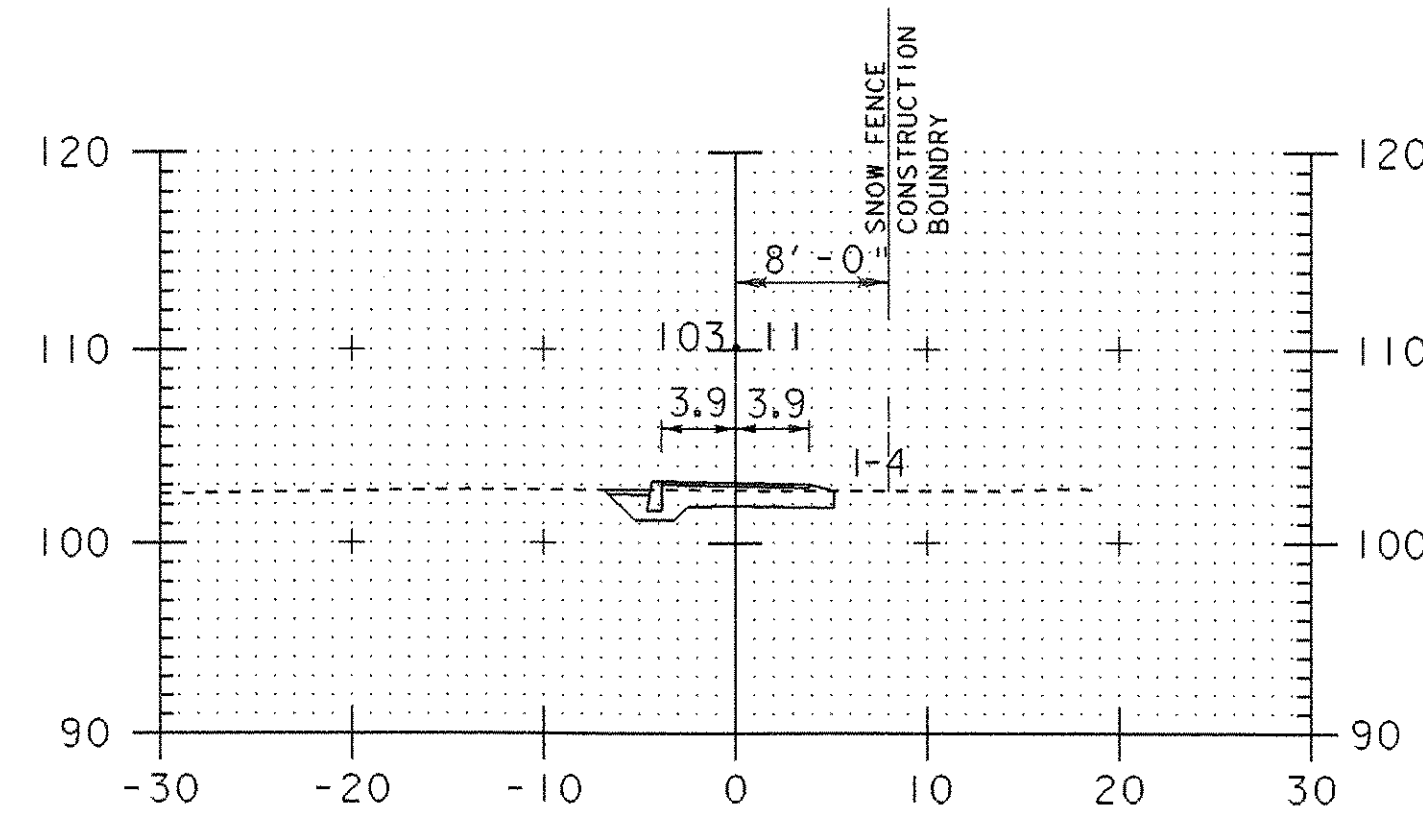


28+62.00
End Project

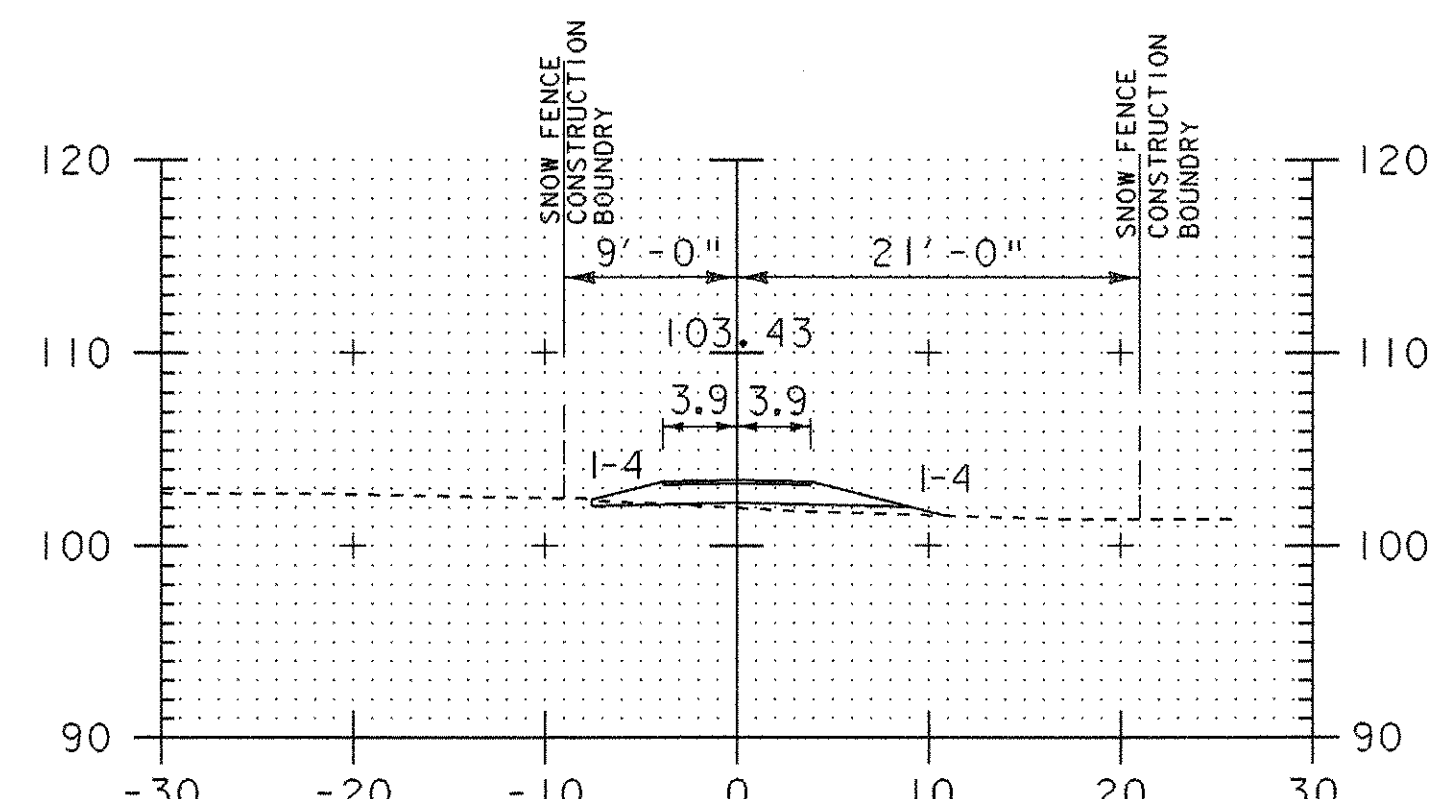


28+00

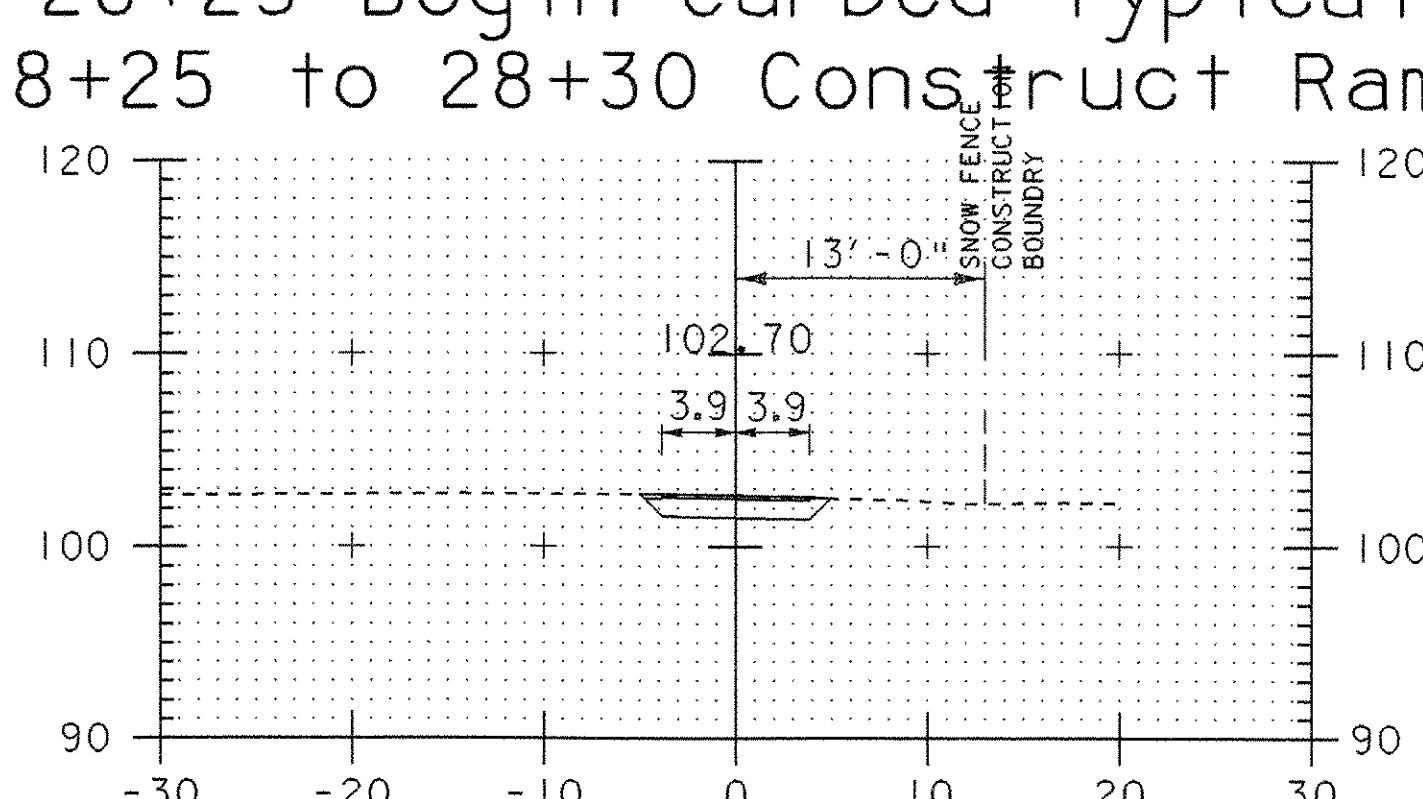


28+30

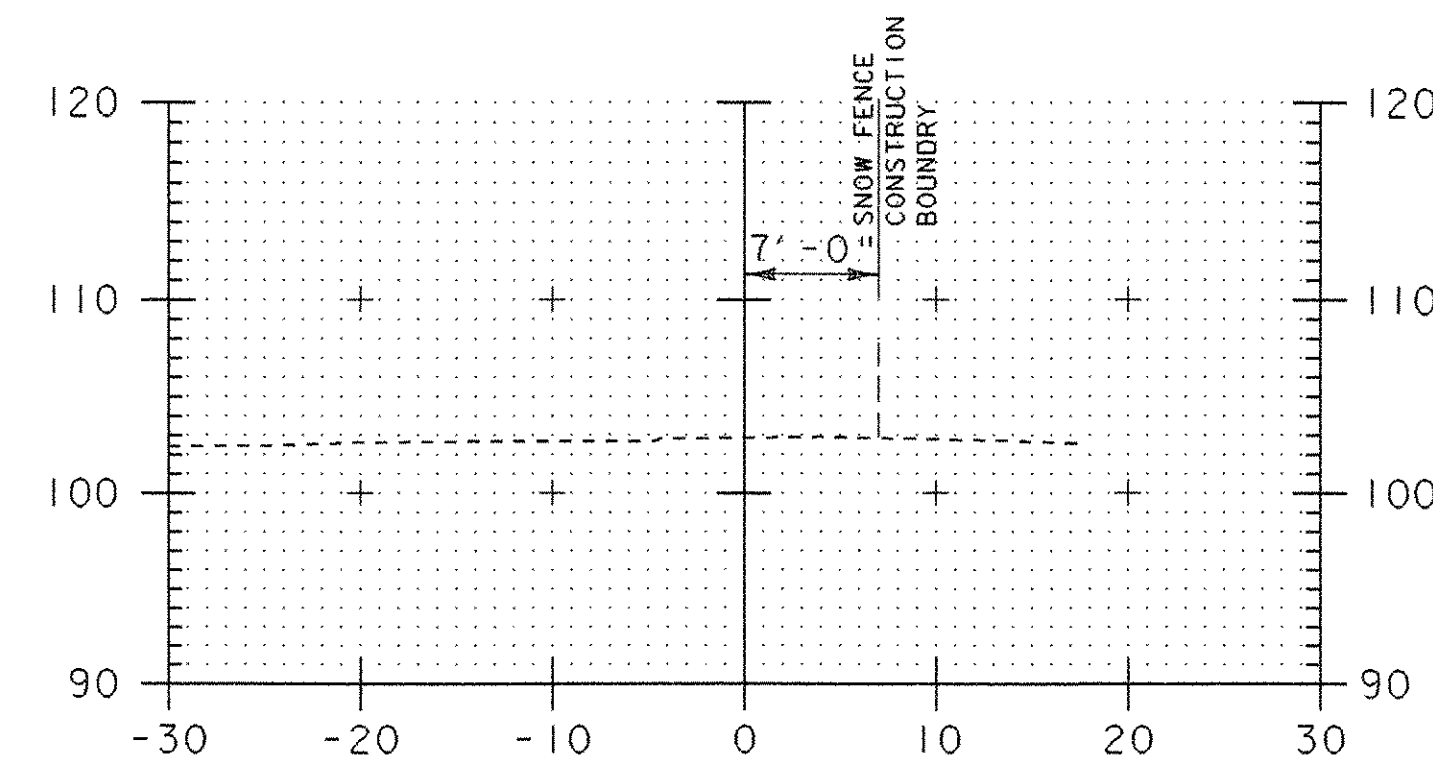
28+25 Begin Curbed Typical
28+25 to 28+30 Construct Ramp



27+90

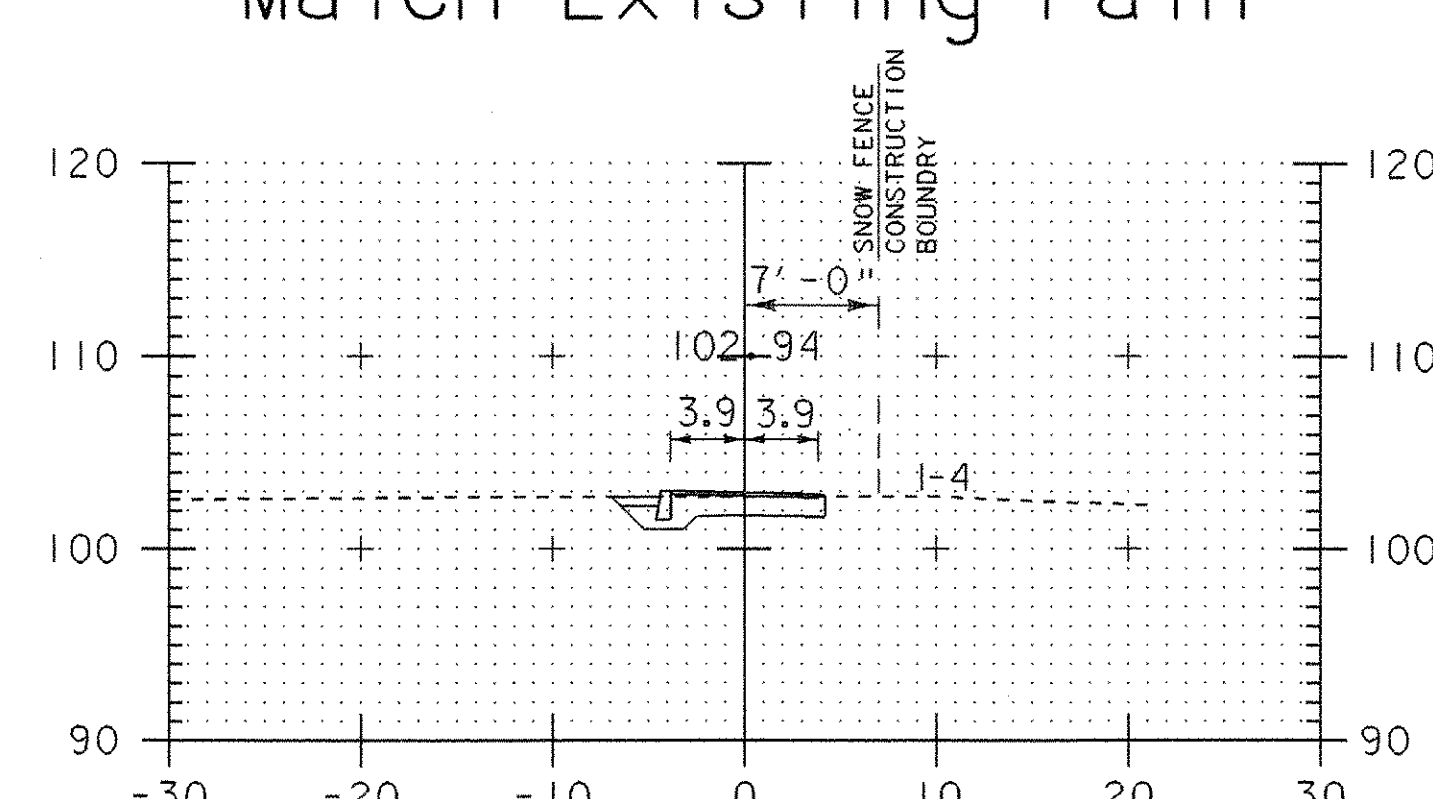


28+20

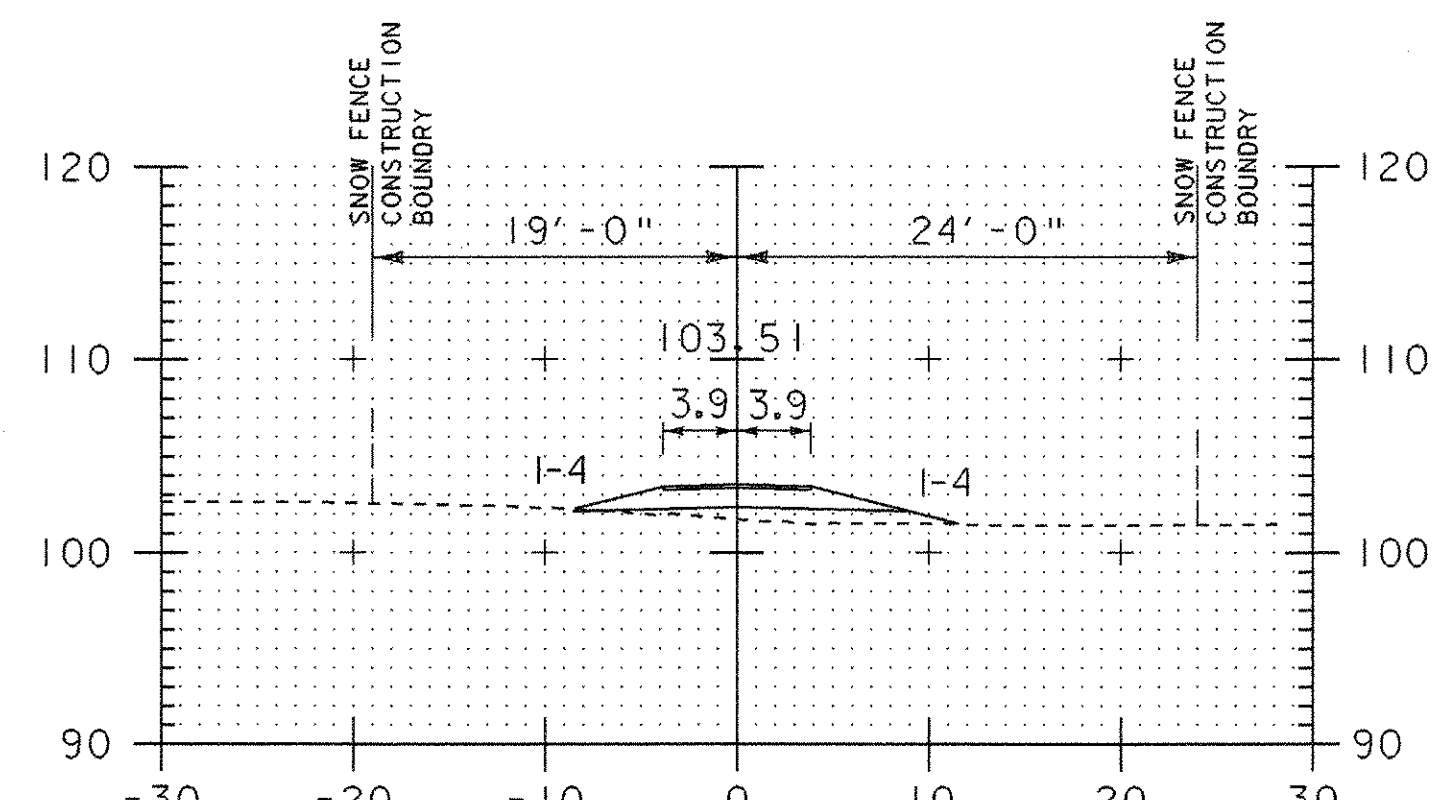


28+60

Match Existing Path

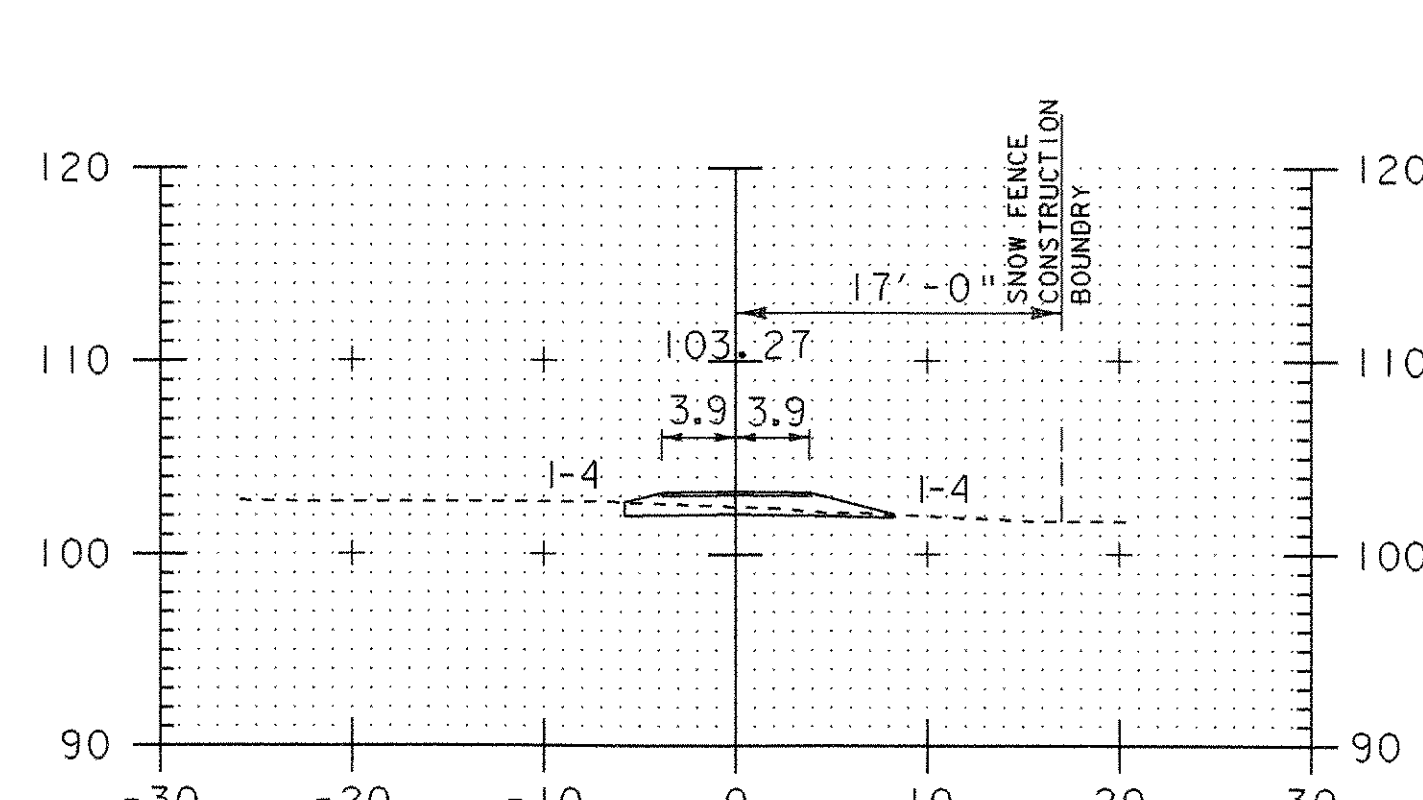


28+50



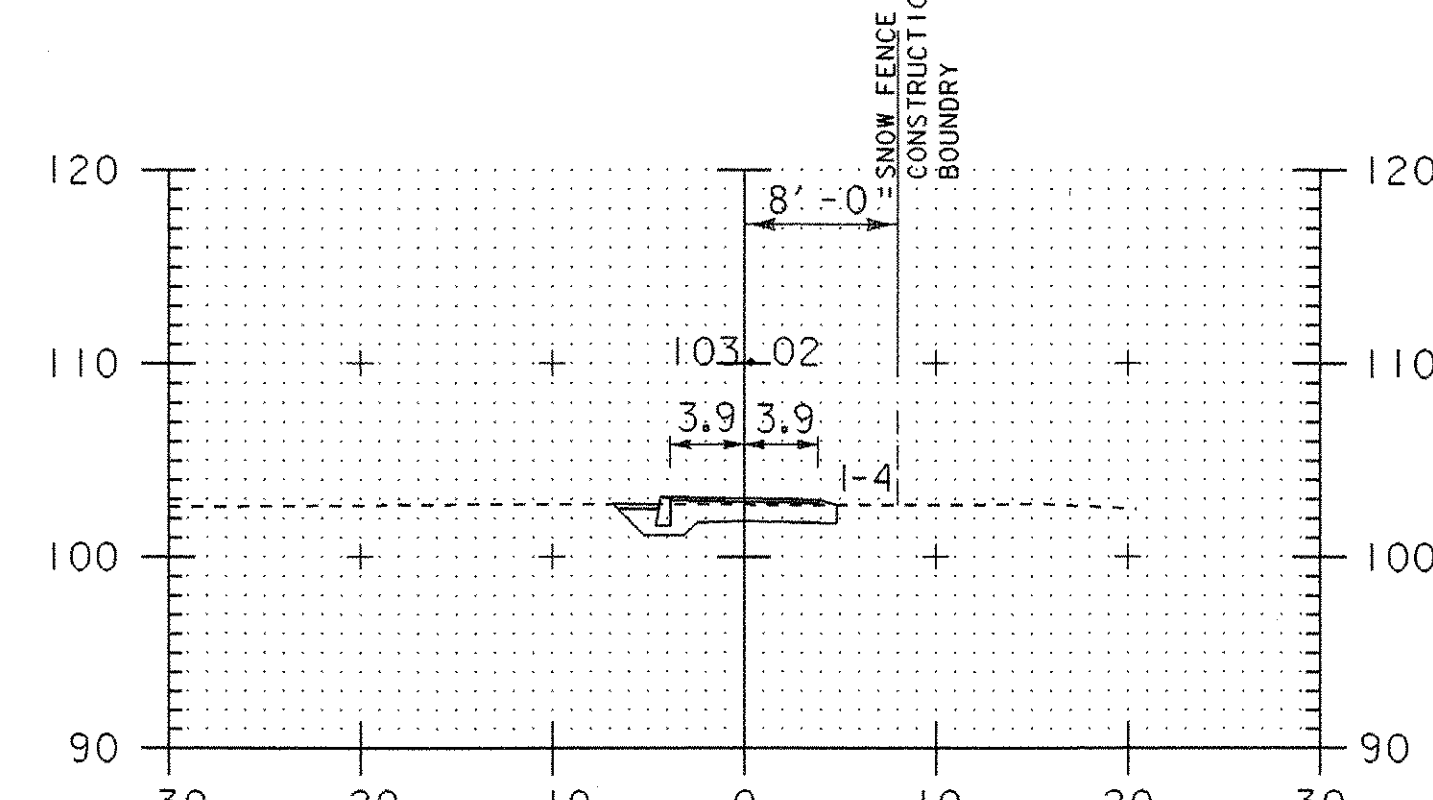
27+80

End Path Width Taper



28+10

28+10 to 28+15
Construct Ramp



28+40

**CROSS SECTIONS
27+80 - 28+60**

| | | | | | |
|-----------------|--------------|-----------------|--------------------------|-------------|-------------|
| PROJECT NAME: | Colchester | FILE NAME: | str5/03f038/sf038xsl.dgn | PLOT DATE: | 05-AUG-2003 |
| PROJECT NUMBER: | STP Bike(48) | PROJECT LEADER: | C. Keller | DRAWN BY: | |
| | | DESIGNED BY: | G. Shangraw | CHECKED BY: | |
| | | | | SHEET | 86 OF 87 |